

Spring Progress Check

Year 6

Mathematics

Paper 2: reasoning and problem solving

First name						
Middle name						
Last name						
Date of birth	Day		Month		Year	
Teacher						

These assessments have been designed by White Rose Maths.
For more information, please visit www.whiterosemaths.com



[BLANK PAGE]

Please do not write on this page.

Instructions

You **may not** use a calculator to answer any questions in this test.

Questions and answers

You have **40 minutes** to complete this test.

Follow the instructions for each question.

Work as quickly and as carefully as you can.

If you need to do working out, you can use the space around the question.

Some questions have a method box like this:

Show your method

For these questions you may get a mark for showing your method.

If you cannot do one of the questions, **go on to the next one.**

You can come back to it later, if you have time.

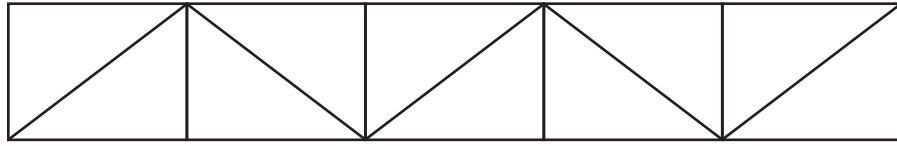
If you finish before the end, **go back and check your work.**

Marks

The number under each line at the side of the page tells you the maximum number of marks for each question.

1

Shade $\frac{1}{10}$ of the shape.



1 mark

Circle the number which is equivalent to $\frac{1}{10}$

0.1

0.01

1

10

1 mark

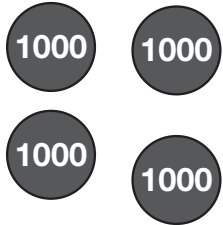
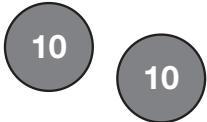
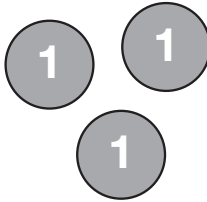
Complete the sequence.

$$\frac{73}{100}, \frac{75}{100}, \frac{77}{100}, \boxed{}, \boxed{}, \boxed{}$$

1 mark

2

Sophie makes a number on a place value grid.

Thousands	Hundreds	Tens	Ones
			

What is Sophie's number?

1 mark

Sophie adds 40 to her number.

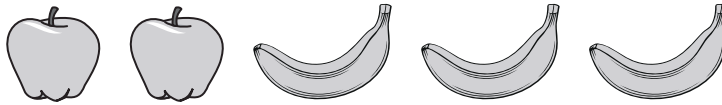
What is her new number?

1 mark

3

Class 6 have some fruit.

For every 2 apples, they have 3 bananas.



They have 10 apples.

How many bananas do they have?

bananas

1 mark

4

The numbers in the sequence increase by the same amount each time.

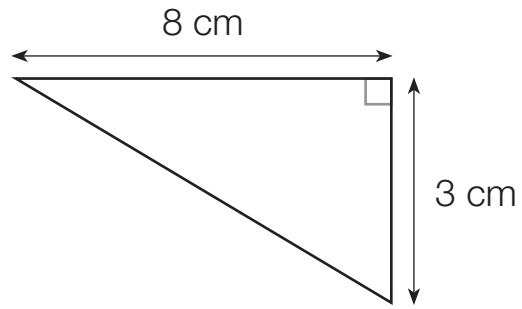
Complete the missing numbers.



2 marks

5

Calculate the area of the triangle.



cm²

1 mark

6

Four children take part in a throwing event.

Their distances are recorded in the table.

Name	Distance (metres)
Jake	13.54
Briony	21.54
Rehan	20.69
Tom	18.21

What is the difference between the longest throw and the shortest throw?

Show your method

A large grid for showing the method to solve the problem. A small box with the letter 'm' is provided for the answer.

1 mark

Write down the name of the child whose distance rounds to 21 metres to the nearest metre.

1 mark

7

Laura thinks of a number.

She multiplies her number by 2 and then subtracts 6

Her answer is 4

What number was Laura thinking of at first?

1 mark

8

Write each number in its correct place on the diagram.

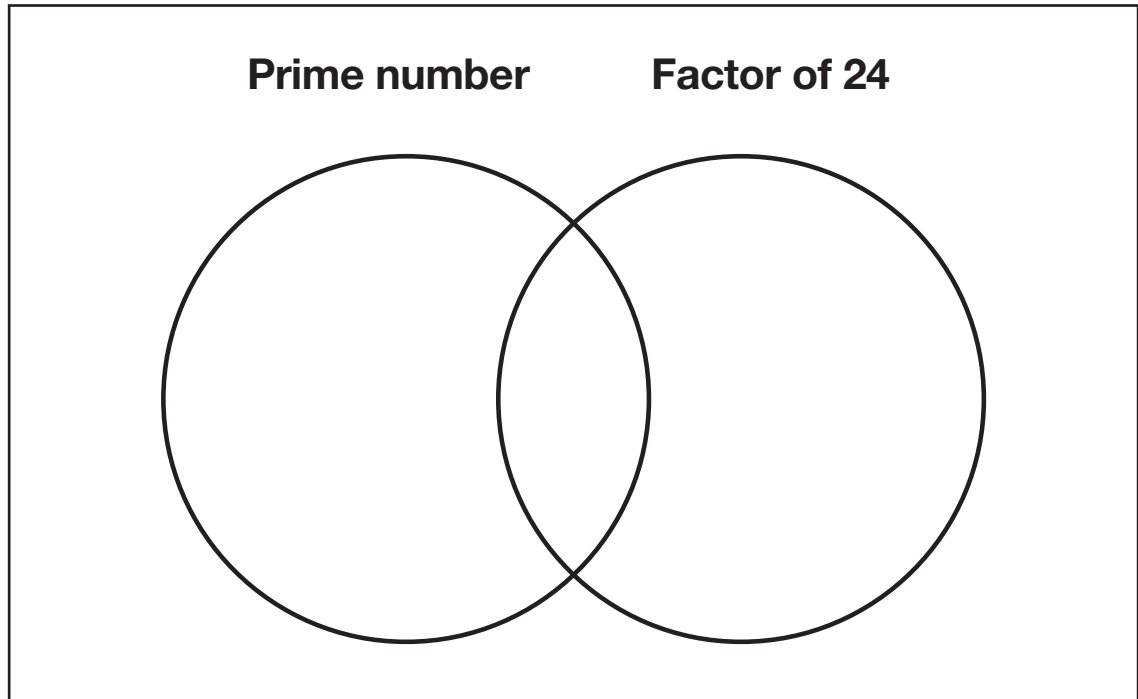
2

24

48

12

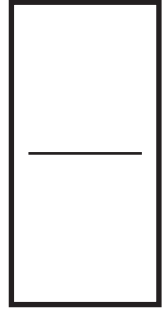
13



2 marks

9

Write 0.25 as a fraction.



1 mark

Amy says that 0.75 is smaller than $\frac{7}{8}$

Explain why Amy is correct.

1 mark

11

Martin is running in a race.

He runs $\frac{2}{3}$ of the total distance of the race.

He has 18 km left to run.

What is the total distance of the race?

Show
your
method

A large grid for showing the method to solve the problem. A small box on the right side of the grid contains the text "km".

2 marks

12

Here are the ingredients needed to make **8 pancakes**.

Ingredients	
Sugar	150 g
Butter	275 g
Eggs.....	2
Flour.....	400 g

How much more flour is used than sugar?

Show your method

A large grid for showing the method. A box on the right side of the grid contains the unit 'g'.

1 mark

How much butter is needed for 24 pancakes?

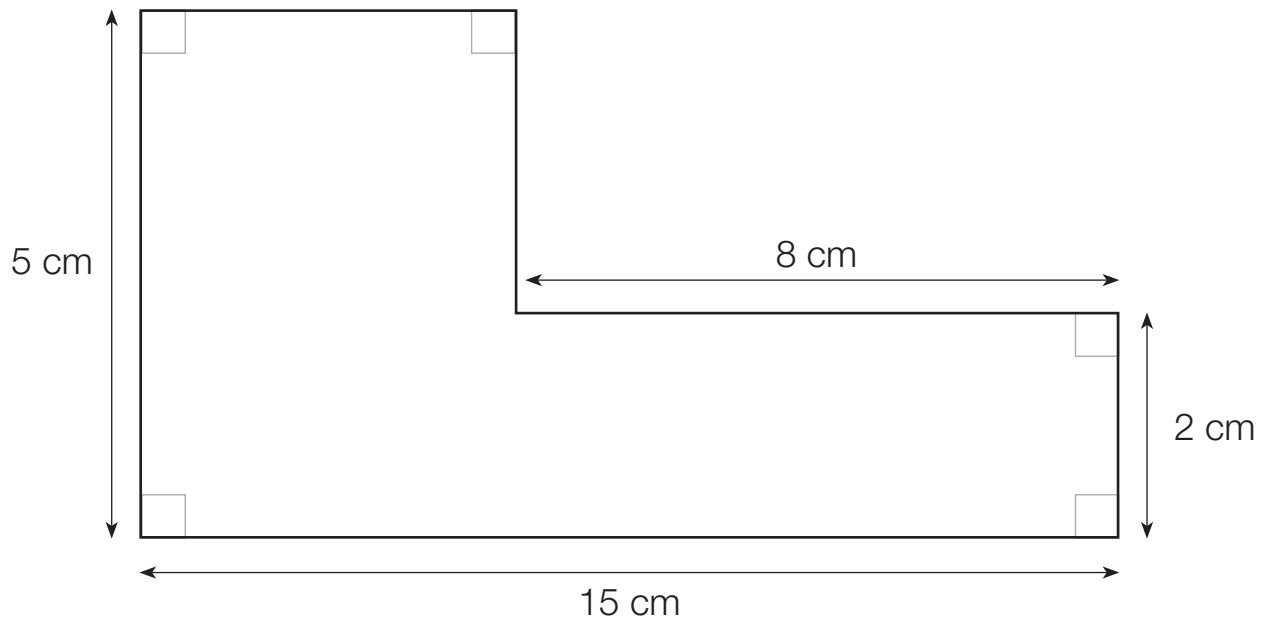
Show your method

A large grid for showing the method. A box on the right side of the grid contains the unit 'g'.

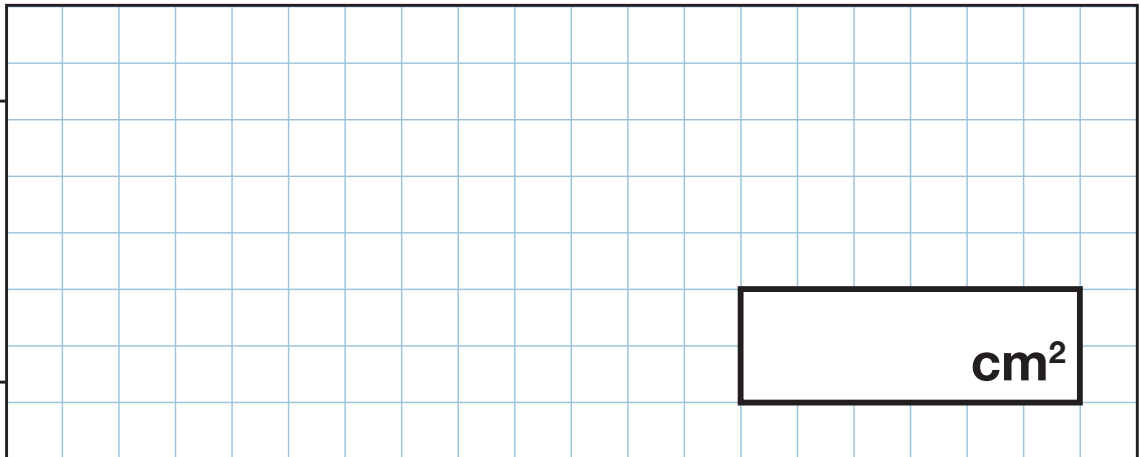
2 marks

13

Calculate the area of the shape.



Show
your
method



2 marks

14Given that $n = 20$, what is the value of $3n + 2$?

1 mark

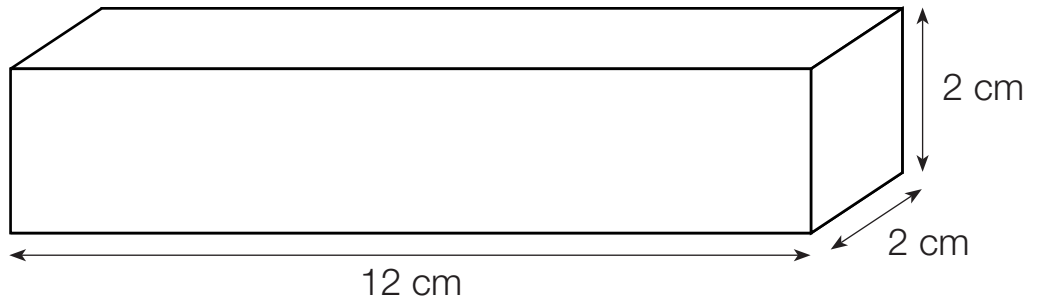
$$4p + 2 = 14$$

What is the value of p ?

1 mark

16

Calculate the volume of the cuboid.



cm³

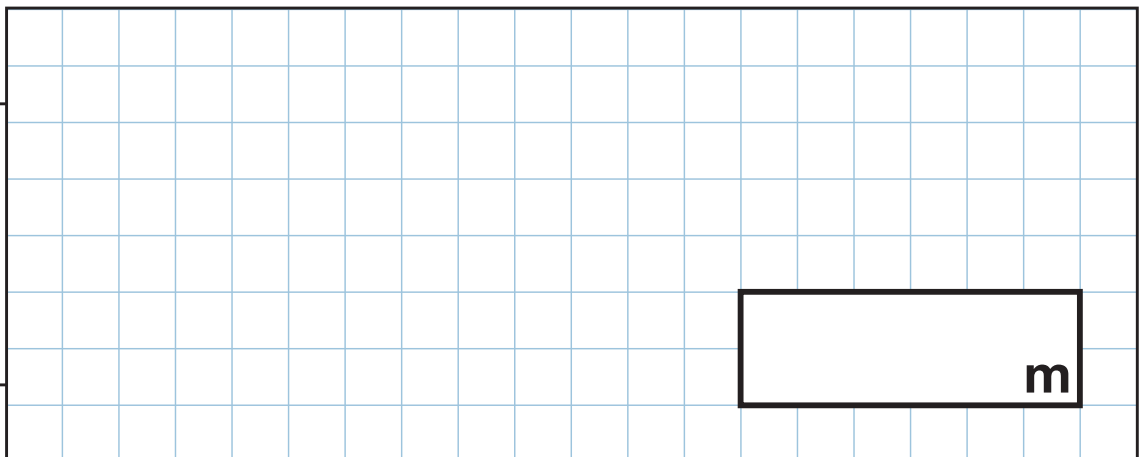
1 mark

17

What is $\frac{3}{4}$ of 5 km?

Give your answer in metres.

Show
your
method



2 marks

18

Bilal and Charlie have some sweets.

Bilal has 4 times as many sweets as Charlie.

Bilal gives Charlie 15 of his sweets and now they have the same amount.

How many sweets do they have altogether?

Show
your
method

The grid is 20 units wide and 10 units high. A small rectangular box with a black border is positioned on the grid, containing the word "sweets" in bold black text. The box is approximately 5 units wide and 2 units high, starting from the 15th vertical line and the 7th horizontal line from the top-left corner.

2 marks

END OF TEST

[BLANK PAGE]

Please do not write on this page.